

## Temp HomeBox HTemp HomeBox

Temperature and  
Temperature/Humidity  
sensors



Temperature – °C



Relative Humidity – %RH

*Two types of indoor sensor with 1-Wire RJ11 interface. Indoor sensors to monitor conditions in your working and living environments.*



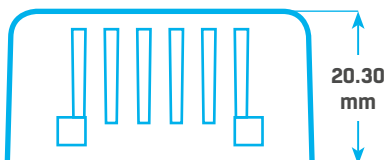
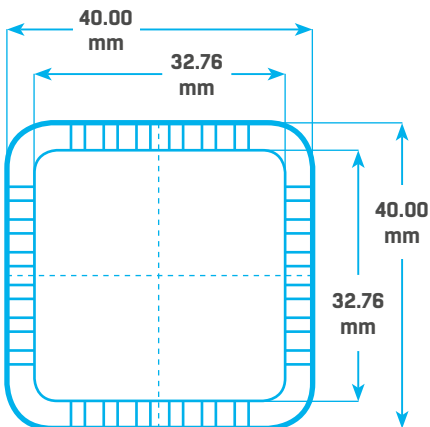
### HTemp HomeBox

Combined Temperature and Relative Humidity sensor with RJ11 interface. Compatible with all HW group remote monitoring devices.



### Temp HomeBox

Temperature sensor with RJ11 interface. Indoor wall housing. Compatible with all HW group remote monitoring devices.



### Applications and usage

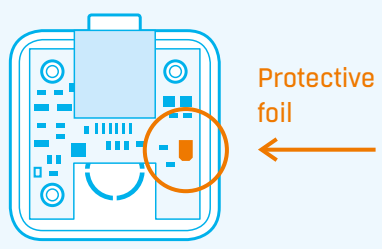
These sensors can be used in many areas. In addition to monitoring in households, commercial buildings, and school buildings, it will also help you in various measurement and regulation projects.

	HTemp HomeBox	Temp HomeBox
Sensor dimensions	40×40×20 mm	40×40×20 mm
Protection	IP30	IP30
Communication interface	1-Wire bus, RJ11 jack	1-Wire bus, RJ11 jack
Maximum length of the 1-Wire bus	60 m	60 m
Power supply	5V power from the 1-Wire port	5V power from the 1-Wire port

Temperature		
Range	-30 to +70 °C	-30 to +70 °C
Accuracy	0.8 °C	0.8 °C
Resolution	0.1 °C	0.1 °C

Humidity	
Range	0 – 100% RH
Accuracy	5% RH / 25 °C
Resolution	0.1% RH

**Before first use**




**HTemp HomeBox**  
Remove the lid and remove the protective foil from the humidity sensing chip.

## Installation and use

Housed in a small elegant plastic box, these sensors can be mounted on a wall or a ceiling or placed on a desk. They are small and lightweight so they can be secured in place with a piece of double-sided adhesive tape. A detachable cable with RJ11 jacks is used for the connection. Included 3-meter RJ11 cable to connect the sensor to any HW group device.

## Versions and related products

Compatibility: Ares, NB 2x1-Wire, Poseidon2, SD 2x1-Wire, STE2 r2



Temp HomeBox      HTemp HomeBox      Sensor CO<sub>2</sub> 1W-UNI      Sensor THPVoc 1W-UNI

Sensor name	Temperature	Relative Humidity	Atmospheric pressure	VOC	CO <sub>2</sub>	Sensor values
Temp HomeBox	✓	✗	✗	✗	✗	1
HTemp HomeBox	✓	✓	✗	✗	✗	2
Sensor CO <sub>2</sub> 1W-UNI	✓	✓	✗	✗	✓	3
Sensor THPVoc 1W-UNI	✓	✓	✓	✓	✗	4