



# NETIO4/NETIO4 All

## Quick installation guide

Thank you for your purchase of this KOUKAAM product. Before using, please read this quick installation guide carefully. It will help you avoid problems with installation or incorrect usage of the device. For more information, please see the User's manual available at <http://netio-products.com>.

**Please read carefully the following notice.** The NETIO4/NETIO4 All device operates under a certain voltage. Mishandling may damage the device, void your warranty or result in injury or death of the person that manipulates it.

### Important notice

1. The manufacturer is not liable for any damage caused by incorrect usage of the device or by operating it in an unsuitable environment.
2. The device is not rated for outdoor use.
3. Do not expose the device to strong vibrations.
4. Unauthorized modifications may damage the device or cause a fire.
5. Protect the device from liquids and excessive temperatures.
6. Make sure the device does not fall.
7. Only approved equipment may be connected to it.
8. If the device malfunctions, disconnect it from the electrical power supply and contact your vendor.

### Minimal system requirements

A device equipped with an Internet browser (Microsoft Internet Explorer, Opera, Mozilla Firefox, Chrome, etc.) with the support of JavaScript and cookies enabled.

### What's in the package

The package contains the Quick installation guide, wall mounts.  
Only for NETIO4 All: two 3 dBi omnidirectional antennas with an RP-SMA connector.

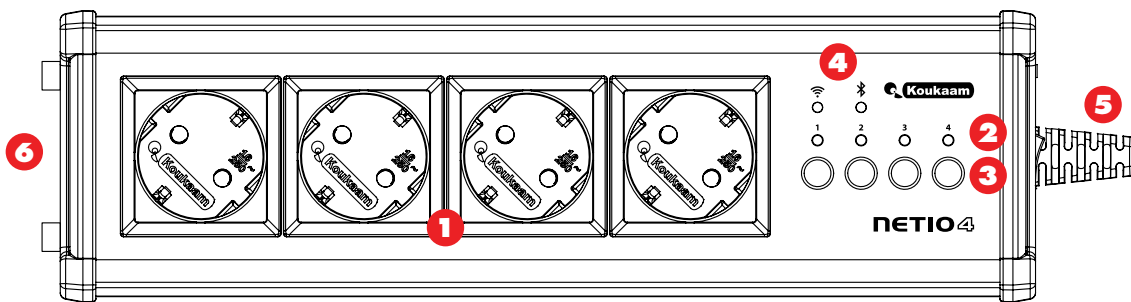
# NETIO4/NETIO4 All

## Device description

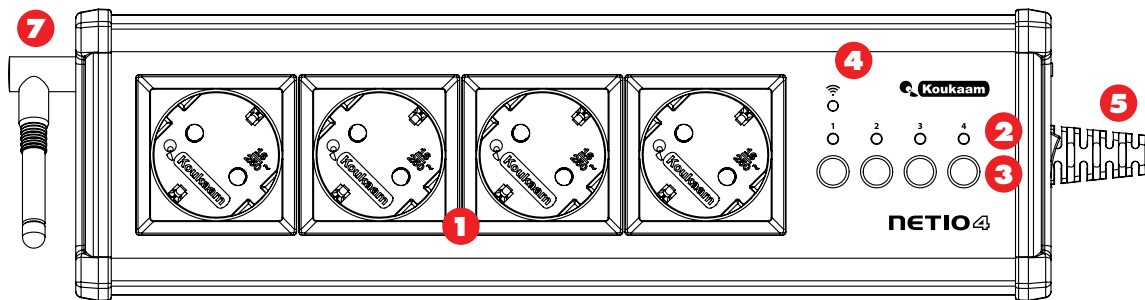
### The front

1. Switched outlets (outlet type varies according to region).
2. LED indicators.
3. Buttons for switching the outlets on and off.
4. LED indicators for Wi-Fi and Bluetooth (Bluetooth applicable only to NETIO4 All).
5. Power cable with a mains power plug.
6. RP-SMA connectors for connecting the two supplied antennas (applicable only to NETIO4 All).
7. Fixed 3 dBi omnidirectional Wi-Fi antenna (only NETIO4).

### NETIO4 All

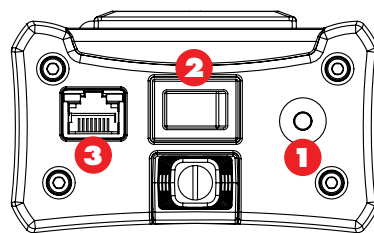


### NETIO4



### The side

1. Overload fuse button.
2. Main power switch.
3. RJ-45 connector for connecting to a computer network.



## Connecting the NETIO4/NETIO4 All device

1. Attach the two supplied antennas to the device (applicable only to NETIO4 All).
2. Connect NETIO4/NETIO4 All to a computer network with the Ethernet cable and/or use Wi-Fi, see below.
3. Connect NETIO4/NETIO4 All to the power supply with the power cable.
4. Connect the controlled device to the desired outlet.
5. Switch on NETIO4/NETIO4 All with the power switch on the side.

Note: the first power-up can take a few minutes due to the initial configuration of the firmware.

# NETIO4 / NETIO4 All

## First configuration

The web service <http://discover.koukaam.com>, which you will use in the next steps, requires access to the Internet and the latest version of Java SE installed, including a functional browser plug-in. The latest version of Java SE can be downloaded from <https://java.com/getjava>.

To get an offline version of the Discover utility, please visit the Downloads page at <http://netio-products.com> in the Support section.

**If there is a DHCP server in your network, the NETIO4/NETIO4 All network adapter will be configured automatically. Otherwise, NETIO4/NETIO4 All will be available at the default address <http://192.168.1.78/>.**

**To find out your NETIO4/NETIO4 All network address and to understand how to change it, please follow these instructions:**

1. Go to website <http://discover.koukaam.com>.
2. A list of all NETIO devices available in your network will appear. To search again, for example after you have added another device to the network, click on **Find Devices**.

Wide broadcast (0.0.0.0, 255.255.255.255) ▾ Discover Device Setup Locate				
TYPE	NAME	IP ADDRESS	MAC ADDRESS	FIRMWARE
Netio4	mynetio	<a href="http://192.168.46.88">192.168.46.88</a>	24:A4:2C:00:01:20	2.3.0 dev (rev.n1b98a09/2013-11-08@netio4)
Netio4	mynetio	<a href="http://192.168.46.135">192.168.46.135</a>	24:A4:2C:0F:03:04	2.3.0 dev (rev.n72cadb6/2013-11-26@netio4)
Netio 230B	NETIO-230B	<a href="http://192.168.34.34">192.168.34.34</a>	24:A4:2C:10:0C:13	
Netio 230CS	NETIO-230CS	<a href="http://192.168.48.116">192.168.48.116</a>	24:A4:2C:11:0B:6F	

3. **If there is a DHCP server in your network and you do not want to change the network settings, skip to Point 6.**
4. Select the desired device and click on **Device Setup**. The network parameters setting window will open.  
Note: The Wi-Fi settings cannot be changed.

Wide broadcast (0.0.0.0, 255.255.255.255) ▾ Discover Device Setup Locate				
TYPE	NAME	IP ADDRESS	MAC ADDRESS	FIRMWARE
Netio4	mynetio			dev (rev.n1b98a09/2013-11-08@netio4)
Netio4	mynetio			dev (rev.n72cadb6/2013-11-26@netio4)
Netio 230B	NETIO-230B			
Netio 230CS	NETIO-230CS			

Device name: mybox

MAC address: 24:A4:2C:0F:03:04

DHCP:

IP address:

Subnet mask:

Gateway IP address:

DNS server:

# NETIO4 / NETIO4 All

5. Configure the network parameters and click on **Change settings**. This will save the settings and restart the device network services. After the restart of the network services, the device will be available at the selected network address.
6. To access the NETIO4/NETIO4 All web interface, point the browser to its IP address or double-click on the IP address of the device detected by the <http://discover.koukaam.com> web service.
7. The login page will display. Enter your username, password and click **Log in**. The web interface of the device will show.

The default username is: "admin", the password is: "admin".

After the first login, we recommend that you update the firmware to the latest version available, change the default password, set the time zone, date and time. We also recommend changing the default parameters for connecting to Wi-Fi.

## Wi-Fi Access Point

The NETIO4/NETIO4 All device supports Wi-Fi 802.11 b/g/n 2.4 GHz wireless networks (AP and client modes).

After the first power-up, the NETIO4/NETIO4 All is configured as a Wi-Fi Access Point so that you can connect to it from any personal computer or other device using a Wi-Fi adapter. For connecting to Wi-Fi, please use the following parameters:

Network SSID:	Netio4
Security:	WPA2-PSK
Encryption:	AES
Password:	12345678-Netio4

After connecting to the Wi-Fi, the NETIO4/NETIO4 All device will be available at this address: <http://192.168.2.78/>. The DHCP server assigns an IP address to the Wi-Fi clients connected to the NETIO4/NETIO4 All device from the address range 192.168.2.0/24.

Note: the network adapter in the NETIO4/NETIO4 All device remains active.

More information on the support for wireless networks and their modes can be found in the User's guide in the chapters Setting up Wi-Fi and Network mode.

# NETIO4/NETIO4All

## Overview of the functions of LEDs, buttons and sound signals

### LED indicators [1] to [4]

Device power-up	[1] to [4] red are on
Standard mode	[1] to [4] are off (or solid green if an outlet is switched on)
Maintenance mode	[4] red is on
Reset to factory settings in progress	[1] to [4] blinks red
Firmware upgrade in progress	[3] blinks red, [4] is solid red
Output states (outlets)	The LED indicating an active outlet is solid green; blinks green during power-up; is off when the outlet is switched off
Locate function	[1] blinks red
DHCP failure	[2] red is on

### LED indicators for Wi-Fi and Bluetooth (Bluetooth only on NETIO4 All)

Active	Is lit
Inactive	Is off
Problem	Blinks

### Button functions

Rocker switch	On/off
Outlet controls [1] to [4]	To switch on/off, press the button and hold it for 2 seconds
Restart in maintenance mode	On power-up, press button [4] and hold it until the device beeps twice
Reset to factory settings	On power-up, press buttons [1] and [2] and hold them until the device beeps twice

### Sound signals

Device power-up	One beep
Request to restart in maintenance mode received	Two beeps
Request to reset to factory settings received	Two beeps
Reset to factory settings complete	Two beeps

**Overload fuse** - the device is equipped with a resettable fuse. If a connected device has a defect or an outlet is overloaded, the power supply will be shut off. As a result, the fuse button will come out. After the defect has been removed (the faulty load disconnected) and 30 - 60 seconds have elapsed, you can press this button to return the device to the original state.

# NETIO4 / NETIO4 All

## Support

If you have any problems with the NETIO4/NETIO4 All device, please consult your vendor or contact directly the technical support of the manufacturer, KOUKAAM a.s., at [support@koukaam.com](mailto:support@koukaam.com). Before you do so, please verify that your NETIO4/NETIO4 All device has the latest firmware version (your problem may be solved in the new version). We also recommend visiting the FAQ and Discussion web pages at <http://netio-products.com> in the Support section.

We hope that you will be satisfied with our product. If you have any questions or comments regarding the functionality of the NETIO4/NETIO4 All device, please do not hesitate to contact us.

The KOUKAAM team

KOUKAAM a.s.  
Türkova 2319/5b  
149 00 Praha 4  
<http://www.koukaam.com>  
[support@koukaam.com](mailto:support@koukaam.com)

The manufacturer assumes no responsibility for any technical or printing errors and reserves the right to make any changes to the product or the user's manual without prior notice. These changes will be announced on the manufacturer's website at <http://www.netio-products.com>.

The manufacturer disclaims warranties of any kind with respect to the information included in this user's manual or any implied warranties of merchantability or fitness for any particular purpose.

In particular, the manufacturer disclaims all responsibility for any damage caused by incorrect usage of the product, failure to comply with the instructions or recommendations included in the user's manual and for any damages caused by unprofessional actions of third parties not authorized by the manufacturer to perform warranty services.

March 2014

© 2014 KOUKAAM a.s. All rights reserved.

