

## Product Information

BKT S/FTP cat.8.1 patch cord LSHF BKT RJ45 crimped plug

Card No.: PI\_214CY533.X01.20



## Application

BKT RJ45 patch cords are used for connections in distribution cabinets or for connecting devices to subscriber's outlets. They are used in server rooms, office and industrial facilities, and residential buildings. BKT patch cords are based on high quality components to ensure proper performance for a given system class.

## Features

- Plug Type: RJ45 shielded
- Connector type: 8P8C (8 Positions 8 Connectors)
- Cable Form Standard: ANSI/TIA-568B
- Cable Type: S/FTP LSHF cat. 8.1 BKT 2000L AWG 26/7
- Cable Sheath: LSHF
- 50 micron gold plated pins
- 100% copper patch cord
- BKT Logo on the plug and boot to help identify the system manufacturer
- The triple pin blades provides higher electrical conductivity
- Meet the requirements of the Channel test in class I according to ISO / IEC 11801 and EN 50173-1

## Standards

- EN 50173-1
- EN 61935-2
- ISO/IEC 11801
- IEC 61935-2
- ANSI/TIA-568.2
- RoHS 2011/65/EU



**Product Information**

BKT S/FTP cat.8.1 patch cord LSHF BKT RJ45 crimped plug

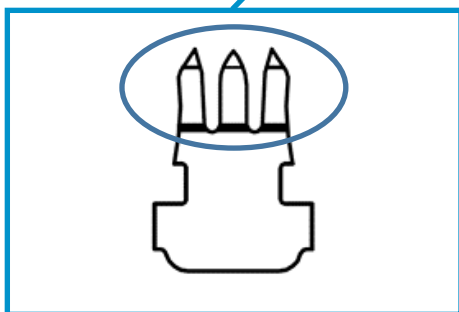
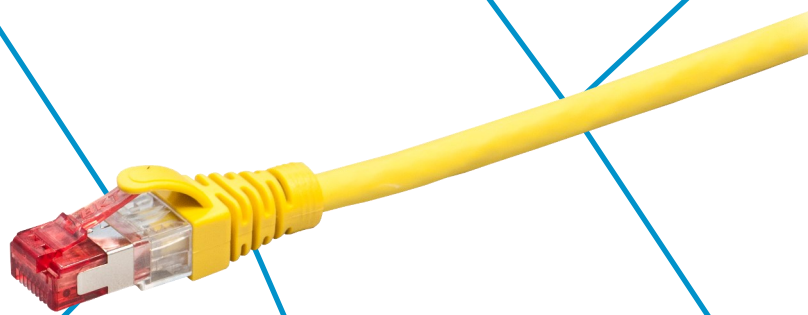
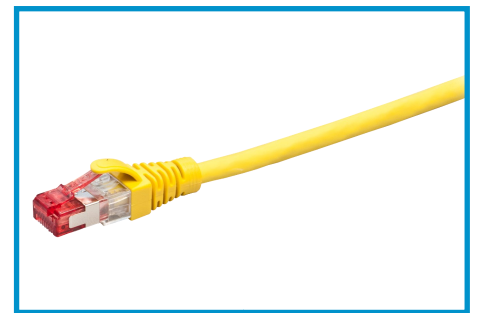
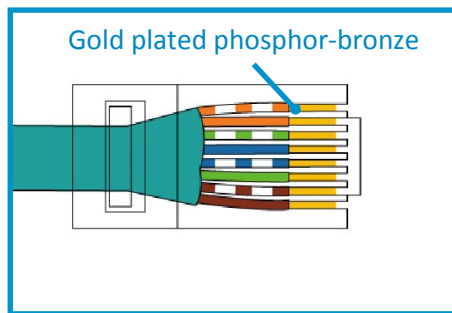
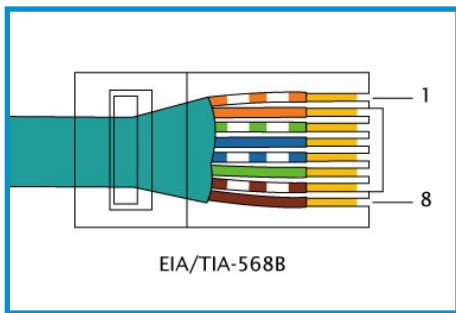
Card No.: PI\_214CY533.X01.20

**Special features**

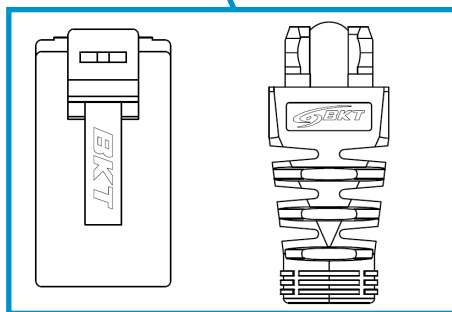
Cable Standard ANSI/TIA-568B

50 micron gold plated pins

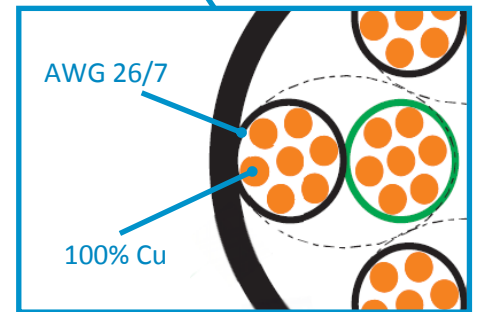
Available patch cord colors



The triple pin blades provides higher electrical conductivity



BKT Logo on the plug and boot to help identify the system manufacturer



Prepared on cable with 26/7 AWG wire diameter, 100% CU

## Product Information

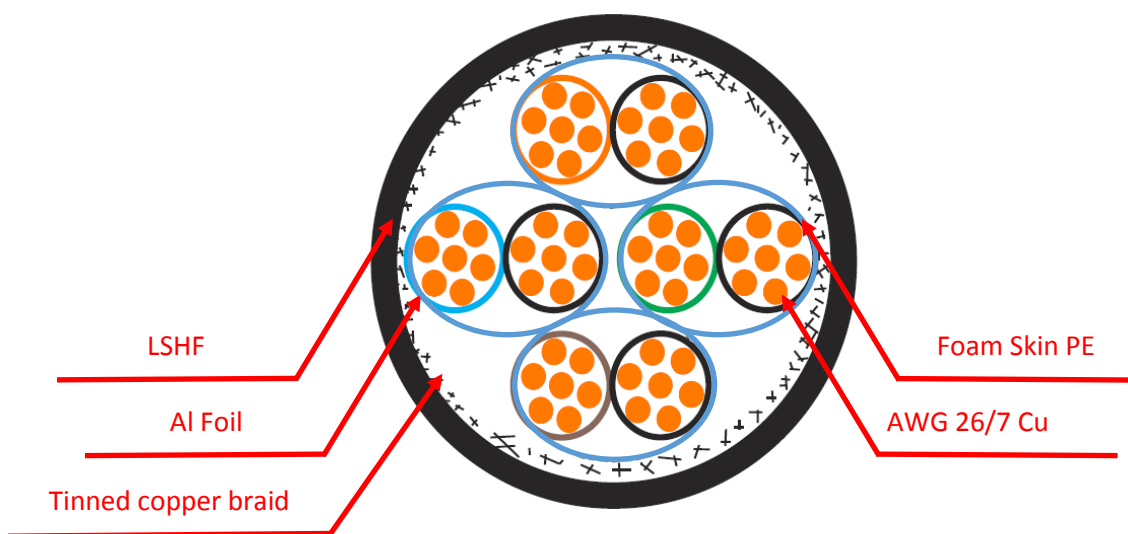
BKT S/FTP cat.8.1 patch cord LSHF BKT RJ45 crimped plug

Card No.: PI\_214CY533.X01.20

## Physical and electrical properties

Rated Voltage max [V]	250 DC
Rated Current [A]	2
Contact resistance [mΩ]	<20
Plug durability	200 insertion cycles
Plug body	polycarbonate
Contact blade	Gold plated phosphor-bronze (50 microns)
Conector type	8P8C
Boot	PVC+PC
Boot color	yellow
Single wire diameter [AWG]	26/7
Single wire insulation	Foam Skin PE
Outer sheath	LSHF
Shield	Al Foil, tinned copper braid
Outer sheath color	yellow

## Patch cord cable construction

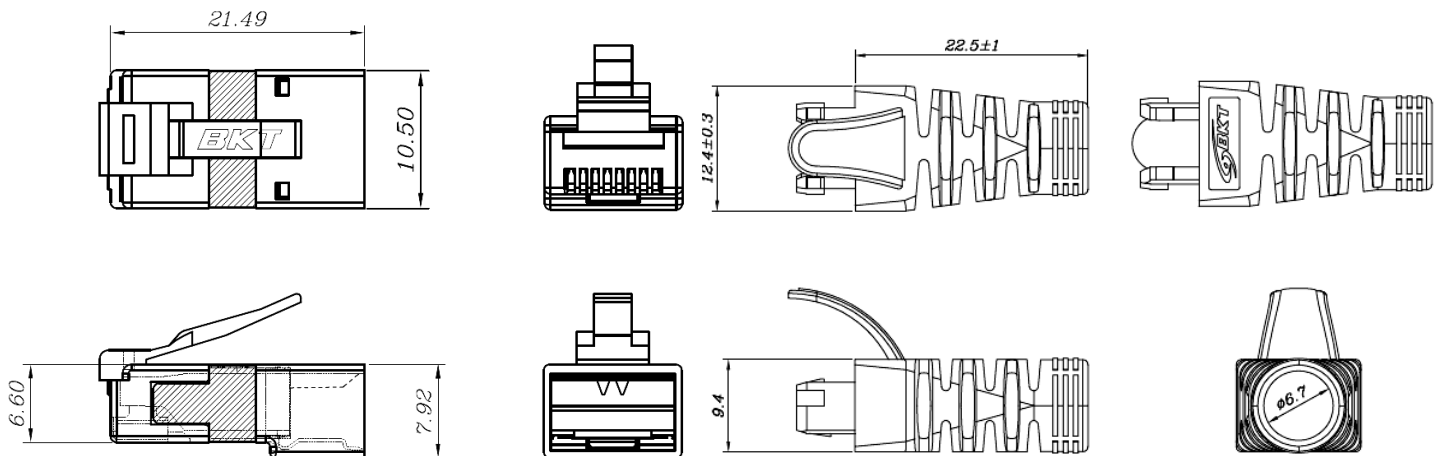


## Product Information

BKT S/FTP cat.8.1 patch cord LSHF BKT RJ45 crimped plug

Card No.: PI\_214CY533.X01.20

## Patch cord plug&boot dimensions [mm]



## Performance / Variants

Index	Product description
214CY533.X	BKT S/FTP cat.8.1 patch cord LSHF yellow BKT RJ45 crimped plug

214CY533.X where:

X Patch cord length(m): 1; 2; 3